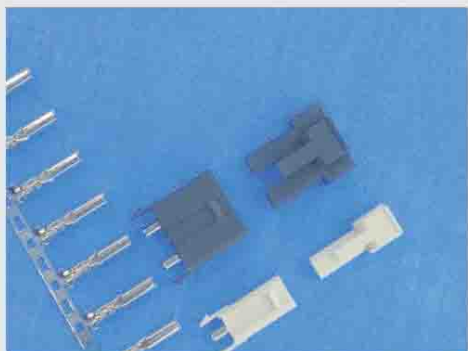


B800004



► 主要技术特性 (Main Specifications)

- 适用导线规格 (Applicable wire) : AWG22#~18#
- 适用基板厚度 (Applicable PC board thickness) : 1.6mm
- 温度范围 (Temperature range) : -25°C~+85°C
- 额定电压 (Voltage rating) : 250V AC, DC
- 额定电流 (Current rating) : 3A AC, DC
- 接触电阻 (Contact resistance) : $\leq 0.02\Omega$
- 绝缘电阻 (Insulation resistance) : $\geq 1000M\Omega$
- 耐压 (Withstanding voltage) : 1500V AC/minute

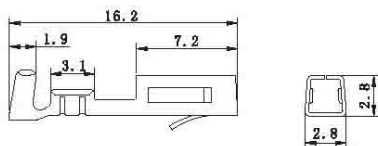
材料及电镀规格 Material and Finish

型号 Type	材料 Material	材料厚度 Material Thickness	电镀规格 Finish
插座 WAFER	塑胶 HOUSING	PA66 UL94V-0	N/A
	针 PIN	黄铜 Brass	镀锡 Tin-plated
孔座 HOUSING	PA66 UL94V-0	—	N/A
端子 TERMINAL	锡青铜 Phosphor bronze	0.25mm	镀锡 Tin-plated

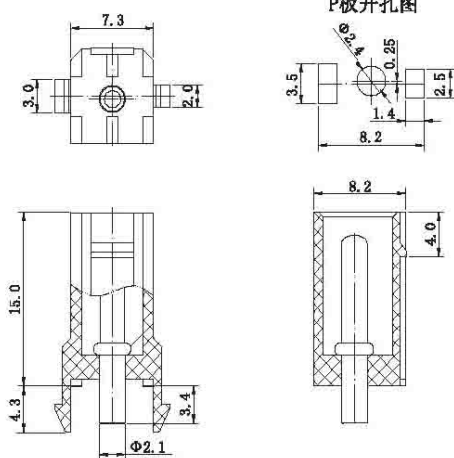
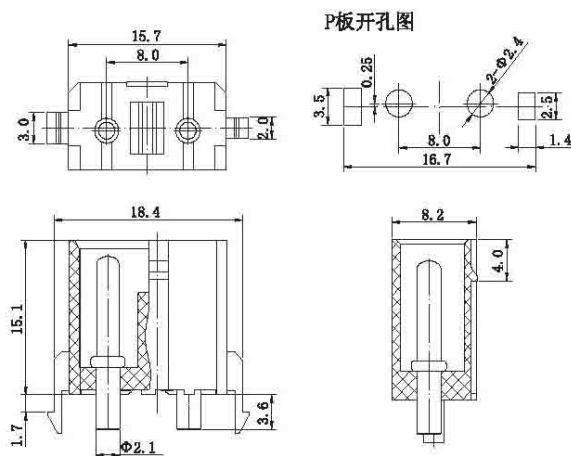
产品尺寸图 Product size chart

 单位: mm 一般公差: ± 0.20

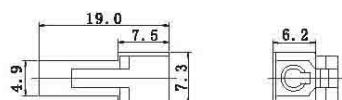
TERMINAL

B800004-4 2.1-T


WAFER

B800004-1-01 自锁单芯插座

B800004-1-02 自锁双芯插座


HOUSING

B800004-2-01 2.1-1P

B800004-2-02 2.1-2P
